

INSTRUCTION MANUAL

LED FLOOD LIGHT



TECHNICAL DATA

WATTS	LUMENS	BEAM ANGLE	DF	CRI	INPUT POWER	OPERATION TEMPERATURE	DIMENSION (LxWxH)
10W	735LM	115°	>0.9	>70	AC: 220-240V, 50Hz	-20°C to +45°C	104x21x92mm
20W	1620LM	115°	>0.9	>70	AC: 220-240V, 50Hz	-20°C to +45°C	126.5x28x114mm
30W	2505LM	115°	>0.9	>70	AC: 220-240V, 50Hz	-20°C to +45°C	164x29x139mm
50W	4270LM	115°	>0.9	>70	AC: 220-240V, 50Hz	-20°C to +45°C	183x29x169mm
200W	17540LM	115°	>0.9	>70	AC: 220-240V, 50Hz	-20°C to +45°C	405x36x326mm
300W	26390LM	115°	>0.9	>70	AC: 220-240V, 50Hz	-20°C to +45°C	496x49x445mm

*This product contains a light source of energy efficiency class<F>, where <F> shall be replaced by the energy class of the contained light source.

INTRODUCTION & WARRANTY

Thank you for selecting and buying [product name] product. [product name] will serve you the best. Please read these instructions carefully before starting the installing and keep this manual handy for future reference. If you have any other query, please contact our dealer or local vendor from whom you have purchased the product. They are trained and ready to serve you at the best. The warranty is valid for 5 years from the date of purchase. The warranty does not apply to damage caused by incorrect installation or abnormal wear and tear. The company gives no warranty against damage to any surface due to incorrect removal and installation of the product. The products are suitable for 10-12 Hours Daily operation. Usage of product for 24 Hours a day would void the warranty. This product is warranted for manufacturing defects only.

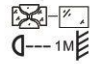
IP65
RATING

05
YEAR
WARRANTY*

SAMSUNG
LED
Illuminated

PRO
SERIES

WARNING

- Please make sure to turn off the power before starting the installation.
- Installation must be performed by a qualified electrician.
- The light source of this luminaire is not replaceable, when the light source reaches its end of life the whole luminaire should be replaced.
- If the external flexible cable or cord of this luminaire is damaged, it shall be exclusively replaced by the manufacturer or his service agent or a similar qualified person in order to avoid a hazard.
- Replace any cracked protective shield.
- Minimum distance from lighted objects 1m. 
- Terminal block not included.
- Proper grounding should be ensured throughout the installation.

NOTE: To reduce the risk of strangulation the flexible wiring connected to this luminaire shall be effectively fixed to the wall if the wiring is within arm's reach.



This marking indicates that this product should not be disposed of with other household wastes.



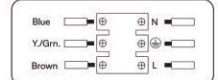
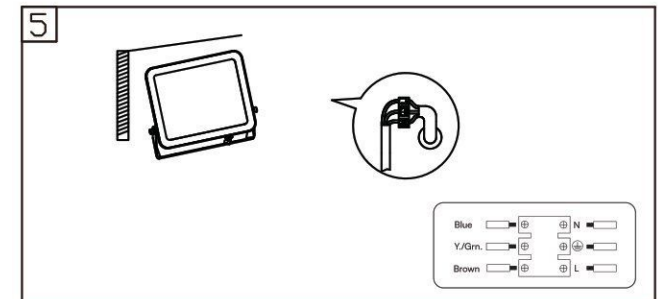
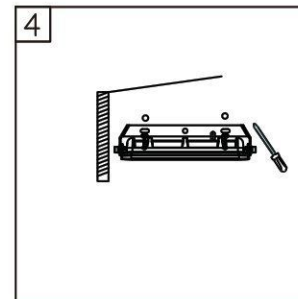
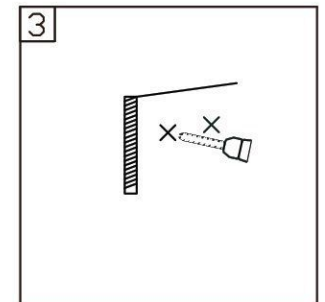
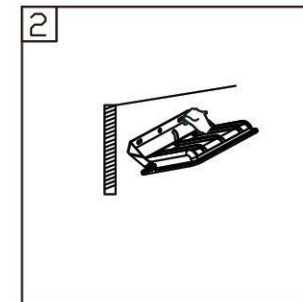
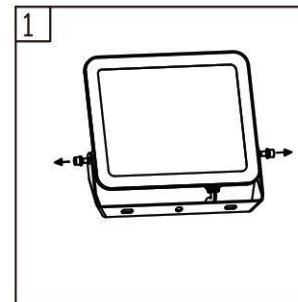
Caution, risk of electric shock.



MULTI-LANGUAGE MANUAL QR CODE

Please scan the QR code to access the manual in multiple languages.

INSTALLATION DIAGRAM



INSTALLATION INSTRUCTION

• DO NOT USE IN AREAS WITH LIMITED VENTILATION OR OUTSIDE THE RATED AMBIENT TEMPERATURE RANGE. *CONNECT WITH WATERPROOF CABLE HOUSE ONLY. *ENSURE ELECTRICITY IS SWITCH OFF BEFORE INSTALLATION.

- Please do not mount to a surface that is prone to vibrations.*
Remove the screw and the bracket afterward. (Figure 1) Before drilling, mark the hole position for fixing the bracket onto the wall (Screw not supplied). (Figure 2)
- Screw the retaining bracket to the wall with a suitable quantity of screws. (Figure 3)
- Mount the bracket back to the fixture. Adjust the floodlight according to the desired position. Tighten the screw. (Figure 4) Connect your main cable (H05RN-F3G1.0mm2 Recommended) with the input lead of our product through the waterproof junction box. Note, the line (-) of the lead. (Figure 5) (Need to use the junction box of IP65 or above, ensure to tighten the waterproof screw) Switch on the power to make sure if the product is working.

DISASSEMBLY DIAGRAM

